



## UNITEC® K' in K'

Threaded plastic fasteners solutions  
for plastic assemblies

Self-forming – self-tapping – adjustable –  
reverse-locked

# BÖLLHOFF

**Contents**

	Page
Introduction	3
Effectiveness and functionality of thread profiles	4
■ Böllhoff regular thread	
■ Böllhoff round and high thread	
Details about forming and tapping process	4
Manufacturing and selection of material	5
Versions of UNITEC® K' in K'	6
The screws	6
■ Scopes of functionality	
■ Repeat of threaded connection	
■ Mounting hole	
The inserts	7
■ For ultrasonic welding	
■ To mechanical turning in	
The systems	8
■ Screw-in clip	
■ Screw-in blind rivet	
■ Body-bound rivet	
Customer benefit	10
■ Screws	
■ Inserts	
■ Systems	
Description of applications	11
Scopes of applications	12
Our service	13
Technical information	13

## Introduction

The assembly of plastic components using plastic screws and thread inserts is largely dependent on the mechanical requirements of the joint and whether a permanent or reversible fixing is required. The material compatibility of the component and the fastener also proves to be an essential influence.

Whilst DIN/ISO screws and nuts are the preferred method of de-mountable fastenings into metal fabrications, they are often incompatible with the assembly of plastic components. In the medium to long term service life, vibration and temperature variations and other external influences can result in failure of the thread connection.

The Böllhoff solution is the development of plastics in plastic (K' in K') screw thread technology with specially designed thread profiles. This enables integrated solutions for permanent and reversible fastenings which are self-locking, self-tapping, self-forming, adjustable and tolerance compensating. In addition, K' in K' screws and inserts have been designed specifically for use in thin gauge plastic sheet and plate, thereby increasing the scope of UNITEC® in the assembly of engineering plastics.

The various configurations in the K' in K' fastening systems consist of a base section, in the form of a sleeve, rivet, clip etc., which retains an aligned screw/insert at the point of assembly. Secure fastenings by means of screw-in blind rivet system and screw-in clip system, also exhibit the in-service benefits of dampening vibration and noise transfer.



**Effectiveness and functionality of thread profiles**

The precise thread geometry is fundamental to the effectiveness of K' in K' screw fastenings, as the fastener forms or taps a 'female' thread into cylindrical, close tolerance, pilot holes.

**Thread profile:**

Thread pitch, height of profile, pitch angle as well as the radius at the flank end and flank base, all influence the effectiveness of tapping or forming an internal thread into the parent material. The characteristics of the base material determines the type of K' in K' thread profile.

Thread forming is determined by either patented option;

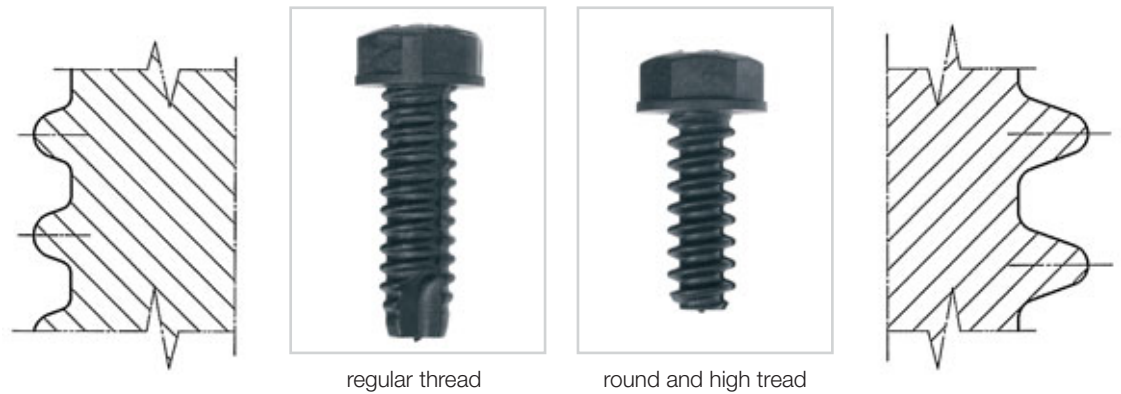
**Böllhoff K' in K' regular thread**

or the

**Böllhoff K' in K' round and high thread**

The K' in K' regular thread is used for screwing into hard plastic materials, where the thread form is cut into a pilot hole.

The K' in K' round and high thread is preferable for applications where the base material has a higher degree of elasticity and high impact resistance.



**When which type of thread?**

Hard solid carrier materials                      **—————>**                      Böllhoff regular thread

Carrier materials with high elongation and impact resistance                      **—————>**                      Böllhoff round and high thread

**Details about forming and tapping process**

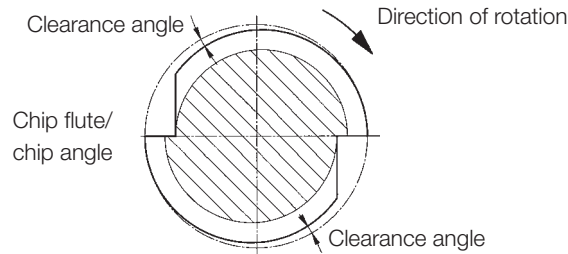
A chip flute, running the length of the screw, enables effective tapping and forming without obstructing the thread flanks. The resulting cutting angle and adjacent clearance angle are at their most effective as the screw assembly is driven home under minimal torque.

The Böllhoff K' in K' regular thread corresponds to action of a screw tap and the Böllhoff K' in K' round and high thread to that of a thread former.

### Torque and thread locking

The previously described geometry generates a low assembly torque during the process of turning the screw, whilst at the same time preventing any detachment under dynamic stress.

Unlike the conventional thread lock on metal screw connections, which can result in strain and surface pressure, the thread lock in the UNITEC® K' in K' screw fixing is a result of radial relaxation in the parent material to coalesce with the thread profile of the mating screw.



### Thread connection with fine adjustment

The thread locking feature is particularly advantageous when adjusting the height along the axis. In each stepless position (irrespective of the direction of screw rotation) thread locking is maintained by subsequent relaxation of the host plastic, preventing any screw detachment under dynamic load.

#### Examples of applications:

- Headlight height adjustment
- Rear light fastening of backlights with adjustment of the gap size
- Block buffer for service cover flaps

## Manufacturing and selection of material

The threaded fastener has to have material properties and characteristics which differ from those of the parent plastic. For this purpose selected thread materials are high performance engineering plastics featuring increased temperature resistance and a high degree of rigidity and strength. All of these properties must differ significantly from the host material, in order to maintain the required stability of profile and geometry, when tapping or forming the thread.

Preferred basic materials are:

- |           |  |
|-----------|--|
| ■ PA GF   | high-quality glass filled Polyamide 66 |
| ■ PPA GF  | Polyphthalamide glass filled           |
| ■ PEI GF  | Polyetherimide glass filled            |
| ■ PPS GF  | Polyphenylsulfide glass filled         |
| ■ PEEK GF | Polyetheretherketone glass filled      |

The K' in K' screws and inserts are formed from a.m. materials and manufactured according to the material requirements of the injection moulding process.

Total accuracy of temperature control within the injection moulding machine and the specially designed tooling is a precondition for achieving premium quality levels throughout the high volume production process.

## Versions of UNITEC® K' in K'

As previously featured, the development principle of plastic (K' in K') thread fastenings provides for coordinated solutions for de-mountable and permanent fixings.

Here we differentiate three K' in K' options:

- Screw
- Insert and
- Systems.

### The screw

The following criteria are integral to final development of a self-forming, self-cutting fastener:

- Head shape and drive
- Support and power transmission
- Thread cutting geometry
- Thread chamfer



### The operating sphere of K' in K' screw



#### Head design

Different styles are available, including

- DIN EN ISO 7045      slotted pan head screw
- DIN 34812            slotted pan head plastic screw
- DIN 34812            recessed plastic pan head screw

The multi-functional head design can be manufactured,

- With external hex drive and
- For the internal drive either a cross slot, socket or inner serration.

#### Support and transmission of force

The underside of the head provides a bearing area when the screw is driven into position. The transition to the thread plays an important role in enabling the necessary tapping and reforming work.

The dynamic load is absorbed in this zone. In order to spread this dynamic load in a larger area, a conical transition is designed.

The ribs beneath the head centres the K' in K' screw within the hole of component to be fastened. During the screwing process they support the fastening at a low cross-load.

#### Tapping geometry

This area forms and cuts the K' in K' thread into the plastic host component. Details q.v. "forming and tapping process".

#### Chamfer

A lead-in chamfer is formed at the base of the thread of a K' in K' screw. This facilitates centring within the pilot hole and relieves the pressure as it begins rotation to form a thread.

### Repeatable threaded connection

Reversible thread connection of K' in K' screws enables repeated assembly and disassembly without deterioration of the thread, thread locking or overall performance.

## Mounting hole

The diameter of any pilot hole has to be such that the central diameter of the K' in K' screw is clear of any deformation of the host material. To relieve the setting load, surface countersinking appropriate for the screw size and to a depth of one thread pitch is required. The countersinking aids with the location of the K' in K' screw and eases the introduction of the lead-in chamfer.

The outer diameter of the countersink is recommended as:

**Surface diameter = size of K' in K' screw thread +> 4mm.**

This dimensional recommendation relates to injection moulded components produced in optimum processing conditions.

Factors such as finish, size of chamfer, formation of joint lines in dome wall, as well as the relationship of dome design and load characteristics should be considered when determining the outer diameter.

Parts first produced from the mould should be subjected to load testing.

## Insert

In these UNITEC® K' in K' versions we differentiate between two types of insert.

**UNITEC® K' in K' for ultrasonic welding**

and

**UNITEC® K' in K' to mechanical turning in**

### Insert for ultrasonic welding

On setting, the UNITEC® K' in K' plastic insert is surrounded by a heat field generated by USS (ultrasonic welding). USS is a technology developed for joining thermoplastic synthetics. The interface of insert and parent material is subject to friction as it absorbs the sonic vibration and the resultant heat plasticises the assembly. In a very short amount of time a positive and homogeneous joint is formed. The required energy is produced in the ultrasonic generator as AC voltage, converted into mechanical vibrations and introduced by the sonotrode. Using this plastic insert in glass filled materials produces even higher resistance threads.

When recycling at the end of product life, there is no need for costly and time consuming material separation, as there is with metal inserts.

The insert is placed in a conical pilot hole within the parent material and welded ultrasonically. The insert is installed after the component has been moulded.

The ultrasonic welding procedure requires the use of identical material classification for both insert and host material. In this way a positive and homogeneous is assured.

For the best results, the ultrasound vibration unit should be supplied by recognised manufacturers of ultrasonic welding equipment. Currently metric threads are available in M3, M4, M5, M6 and M8. American/British imperial threads can be supplied.



**Mechanical components**

Plastic inserts can be screwed in by mechanical means to introduce a higher faster thread into plastic components. The external geometry of the thread is identical to the K' in K' screw (quod vide forming and tapping process). The precise diameter of the parallel-walled mounting hole is dependent on the material characteristics of insert and host component and differs accordingly.

**Installation tool**

During final installation of the insert it is first spun on to the spindle of the driver tool and then screwed into the component. The setting cycle stops when the installation tool makes contact with the parent carrier part.



Metric female threads in sizes of M3, M4, M5 and M10 can be manufactured. Currently available are sizes of M6 and M8. American/British threads can be manufactured.

**The systems**



**Screw-in clip**

A two-part threaded fastening which is waterproof, self-locking and recyclable.

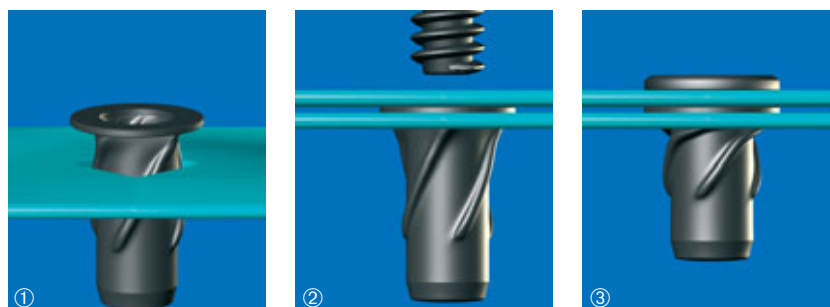
**Function**

The screw-in clip is first pressed into a pre-prepared square hole in the base component. ① A doublelocking feature results from interference fit of helical flank vanes and underhead pips.

Then the top component is secured by a self-forming K' in K' screw engaging with the screw-in clip. ② As it turns in and generates a force along its axis, the female element is pulled up beneath the lower component, folding the end section and deforming the flank helix under clockwise movement. ③ A waterproof threaded connection is produced.

**Potential applications:**

Anywhere cut threads are not possible in thin wall thickness and/or when production tolerances have to be adjusted during the assembly process, e.g. industries such as automotive, engineering and plant construction.





### ***Screw-in blind rivet***

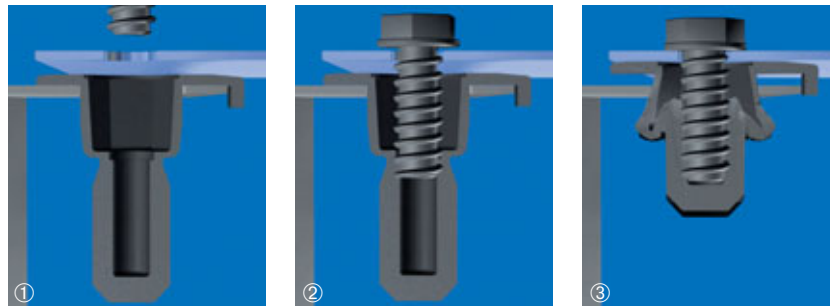


The screw-in blind rivet has been developed for fixing through round holes. To prevent rotation on setting, the surface of the rivet element has an integral flange to lip over the component edge. Other applications are made possible by an underside hexagonal form to the rivet body.

**Function**

The screw-in blind rivet is plugged into a hole in the bottom component. ① Lateral ribs prevent the rivet from falling out prior to setting. A mating K' in K' screw is located through a hole in the top component to engage with the internal bore or the rivet and form a thread. ②

Different riveting thicknesses are no problem for this fastening system, as the screw blind rivet clenches the underside of the bottom component, balancing tolerances along its axis as it does so. As the rivet section is drawn up under thread engagement, it is compressed at the neck and expands to form a blind side fastening. ③



### ***Body-bound rivet***

With this fastening system the rivet section forms a base for the screw.

Body-bound rivets are perfect fastening solutions for many types of application, principally where access is restricted to one side of the component. Varying thicknesses of material can be joined and the fastening is particularly effective in thin-walled blow moulded parts.

The rivet element is pressed into a close tolerance hole within the principal component. A secondary component is then screwed into position by a K' in K' screw. As the self-tapping screw is driven into the spread nut form, the square section is forced to expand and four external wedges undercut the component to secure a tight fit.



## *The advantages*

---

### **UNITEC® K' in K' screw**

- A screw fastening with high reverse-lock
  - Balancing of tolerances by adjustability
  - No corrosion
  - Chemical resistance
  - Electromagnetic compatibility
  - All-plastic fastening solution reduces component weight
  - Capability of recycling – no expensive separating of component parts
  - Minor conductivity of heat/isolator
  - Any colour
- 

### **UNITEC® K' in K' inserts for ultrasonic welding**

- Tension free assembly, especially suitable for brittle materials
  - Higher thread fastness in comparison to spindled thread components
  - High pull-out strength
  - Short times of welding (approx. 0.3 seconds)
  - Very low noise development in welding compared to metal inserts
  - Homogeneous connection between insert and component
  - Capability of recycling – no expensive separating of component parts
  - All-plastic fastening solution reduces component weight
  - Minor conductivity of heat/isolator
  - No corrosion
  - Any colour
- 

### **UNITEC® K' in K' inserts for mechanical turning in**

- A screw fastening with high reverse-lock
  - Balancing of tolerances by adjustability
  - No corrosion
  - Chemical resistance
  - Electromagnetic compatibility
  - All-plastic fastening solution reduces component weight
  - Capability of recycling – no expensive separating of component parts
  - Minor conductivity of heat/isolator
  - Any colour
- 

### **UNITEC® K' in K' systems – screw-in clip**

- Waterproof
- Fastening requires access from one side only
- No corrosion
- Electromagnetic compatibility
- All-plastic fastening solution reduces component weight
- Capability of recycling – no expensive separating of component parts
- Scope of application 0.8 – 2.5 mm thickness of plates for component A
- Minor conductivity of heat/isolator
- Fastening solution for thin-walled components
- Any colour

---

### **UNITEC® K' in K' systems – screw-in blind rivet**

- Fastening requires access from one side only
- No corrosion
- Electromagnetic compatibility
- All-plastic fastening solution reduces component weight
- Capability of recycling – no expensive separating of component parts
- Any colour

---

### **UNITEC® K' in K' systems – body-bound rivet**

- Fastening requires access from one side only
- No corrosion
- Electromagnetic compatibility
- All-plastic fastening solution reduces component weight
- Capability of recycling – no expensive separating of component parts
- Thin-walled blow moulding parts
- Any colour

---

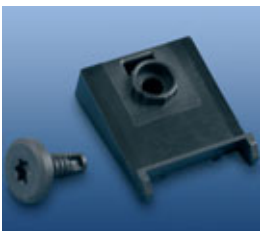
## **Description of applications**



### **Threaded connection assembly carrier „Touareg“ (VW)**

Self-tapping K' in K' screws have been used effectively to fasten a two-part assembly within the interior trim of the Touareg.

Here the K' in K' plastic screw forms its own mating thread within a cylindrical pilot hole set in the base component. As the host material relaxes into the longitudinal slot of the screw, a reverse-lock is achieved. Clamp ribs on the underside of the screw head guarantee an automatic centring of the assembled parts.



### **Concealed window stop „SMART“ (Daimler Chrysler)**

Development of an all-plastic window stop has achieved noise insulation within the side door window plates.

The self-grooving K' in K' screw secures the stop, which in turn adjusts to rough tolerance holes in the glass by means of ribs. The stop is a press fit and a float-free fastening is achieved by the screw.



### **Fastening the air outlet cover**

An air outlet cover made from HD-PE is fastened into a thin walled section by means of a K in K' screw and body-bound rivet.

With access available on one side only, the cover is applied to the spread nut and a size 7 L12 K' in K' screw is located and driven home to cut an internal thread. As the screw enters, it splays out the plastic rivet body and undercuts the material of the host component to achieve a tight fit.

## Examples for scopes of application

Böllhoff K' in K' screw fastening solutions have been applied in different spheres.



- Automotive industry, fastening of instrument panel, threaded connection, assembly carrier, fastening of headlights



- Commercial vehicles (lorries, tractors...), tank for water equalizing



- Electricity, electronics, safety switch cabinets



- Office furniture, chairs, desks



- HVAC



- Landscape technology, lawn chairs, shield fasteners

## Our Service

As a specialist service provider, we welcome enquiries for K' in K' threaded fasteners and recommend solutions dependent on the parent material.

The conditions for the most effective threaded fastenings in plastic are many and varied.

These include:

- Optimal length of screw insertion
- Required speed of insertion
- Tightening torque, overwinding torque, screw-in as well as loosening torque
- Threaded fastening in repeated assembly

The design and production criteria are assessed by assembling samples of original components. If these are not available at a development stage, test samples are prepared out of selected materials and used for evaluation.

## Technical information - mechanical properties

### UNITEC® K' in K' systems – screw-in clip

Material of carrier	Thickness of carrier mm	Screw-in torque $M_E$ [Nm]	Tightening torque $M_A$ [Nm]	Loosening torque $M_L$ [Nm]	Axial pull-out force $F$ [N]
steel	0.8 - 2.5	0.4	1.3 - 1.5	approx. 1.5	400*
plastic**	0.8 - 2.5	0.4	1.3 - 1.5	approx. 1.5	400*

Rotational speed of screw insertion - 700 revolutions/min

\* Thread deformation begins at 400 N, up to destruction at approx. 900 N.

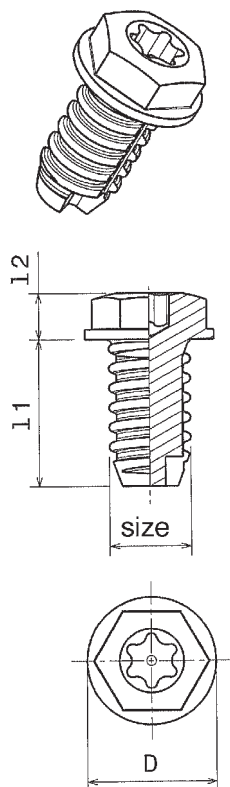
\*\* In a wall thickness of 0.8 mm a glass fibre filled plastic design is recommended. By increasing wall-thickness the fastness of carrier material can decrease.

### UNITEC® K' in K' systems – screw-in blind rivet

Material of carrier	Thickness of carrier mm	Screw-in torque $M_E$ [Nm]	Tightening torque $M_A$ [Nm]	Loosening torque $M_L$ [Nm]	Axial pull-out force $F$ [N]
steel	0.8 - 3	0.3	1.2 - 1.6	approx. 1	approx. 400

Rotational speed of screw insertion - 350 revolutions/min

These indicative values have to be related to each specific application.

**Technical information – dimensions**
**UNITEC® K' in K' – screws**


Part no.	Description	Böllhoff K' in K' thread	Dimensions of thread	
			Thread size size	Thread length l1
0406 730 6012	K' in K'-screw size 6 L 12	regular thread	6	12
0403 710 6018	K' in K'-screw size 6 L 18	regular thread	6	18
0403 720 6018	K' in K'-screw size 6 L 18	regular thread	6	18
0403 730 6018	K' in K'-screw size 6 L 18	regular thread	6	18
0412 730 6020	K' in K'-screw size 6 L 20	regular thread	6	20
0402 730 6025	K' in K'-screw size 6 L 25	regular thread	6	25
0403 900 6001	K' in K'-screw size 6 L 18	regular thread	6	18
0402 730 7012	K' in K'-screw size 7 L 12	regular thread	7	12
0403 730 7014	K' in K'-screw size 7 L 14	regular thread	7	14
0403 730 7022	K' in K'-screw size 7 L 22	regular thread	7	22
0402 790 7001	K' in K'-screw size 7 L 12	regular thread	7	12
0402 790 7002	K' in K'-screw size 7 L 12	regular thread	7	12
0402 790 7003	K' in K'-screw size 7 L 12	regular thread	7	12
0402 790 7004	K' in K'-screw size 7 L 12	regular thread	7	12
0402 790 7005	K' in K'-screw size 7 L 12	regular thread	7	12
0402 730 8025	K' in K'-screw size 8 L 25	regular thread	8	25
0403 730 6418	K' in K'-screw size 6 L 18	Round high thread	6	18
0403 930 6003	K' in K'-screw size 6 L 12	Round high thread	6	12
0412 730 7418	K' in K'-screw size 7 L 18 for screw-in clip 0400 032 0001	Round high thread	7	18

**UNITEC® K' in K' – special parts**

Part no.	Description	Böllhoff K' in K' thread	Dimensions of thread	
			Thread size size	Thread length l1
0419 007 5201	Setting screw	regular thread	5.2	12
0419 011 0601	Buffer	regular thread	6	19.5
0419 011 0602	Buffer	regular thread	6	19.5
0419 013 0601	K' in K'-screw size 6 L 11.5	regular thread	6	11.5
0419 016 0701	Stud	regular thread	7	11
0419 014 0701	K' in K'-bolt size 7 L 28 (22.8)	Round high thread	7	22.8

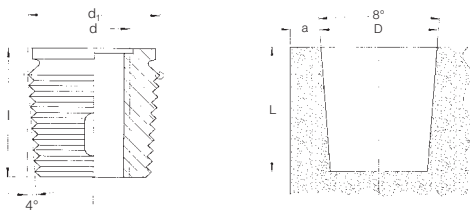
\* On request.

\*\* Material depends on carrier. Alternative materials quo vide page 5.

Type	Head version		Internal drive		External drive (width across flats)	Material **	Colour	Comment
	Outer head- Ø D mm	Head height l2 mm	Socket	Cross recess				
Pan hexagon	12	5	DIN EN ISO 10664-30		10	PPA GF	black	
Pan hexagon	12	6		Form Z size 3	10	PPA GF	headlight grey almost RAL 7034	
Pan hexagon	12	6		Form Z size 3	10	PPA GF	white	*
Pan hexagon	12	6		Form Z size 3	10	PPA GF	black	
Pan head	15	5	DIN EN ISO 10664-30			PPA GF	black	
Pan head	16	6		Form Z size 3		PPA GF	black	*
Pan hexagon	12	6		Form Z size 3		PEEK GF	natural	*
Pan head	12	4.6		Form Z size 3		PPA GF	black	
Pan hexagon	12	6		Form Z size 3	11	PPA GF	black	*
Pan hexagon	12	6		Form Z size 3	11	PPA GF	black	*
Pan head	12	4.6		Form Z size 3		PPA GF	green	*
Pan head	12	4.6		Form Z size 3		PPA GF	yellow	*
Pan head	12	4.6		Form Z size 3		PPA GF	light platinum	*
Pan head	12	4.6		Form Z size 3		PPA GF	blue	*
Pan head	12	4.6		Form Z size 3		PPA GF	torrone	*
Pan head	15	6		Form Z size 4		PPA GF	black	
Pan hexagon	12	6		Form Z size 3	10	PPA GF	black	*
Pan hexagon	12	6		Form Z size 3	10	PPA GF	black	*
Flathead	15	3.5	DIN EN ISO 10665-25			PPA GF	black	*

Type	Head version		Internal drive		External drive (width across flats)	Material **	Colour	Comment
	Outer head- Ø D mm	Head height l2 mm	Socket	Cross recess				
Special head	14	9	T20 with lock nut			PPA GF/ EPDM-X+PP 35 Shore A	black	*
Pin head	7.8	10.5	DIN EN ISO 10664-15		4	PPA GF/ EPDM-X+PP 73 Shore A	black	* Rear external drive
Pin head	7.8	10.5	DIN EN ISO 10664-15		4	PPA GF/ EPDM-X+PP 64 Shore A	black	* Rear external drive
Flathead	15	6	DIN EN ISO 10664-30			PPA GF	black	*
Pin head	10	11	VW 010-43 N5			PPA GF	black	*
Special head	-	18.2			15 / 5	PPA GF	black	*

**UNITEC® K' in K' – inserts for ultrasonic welding**

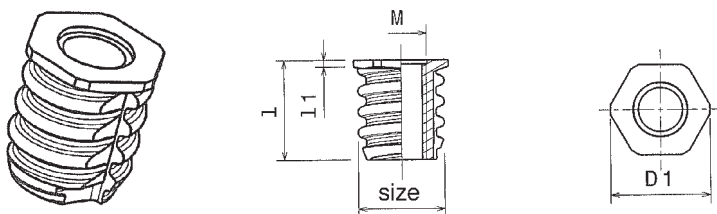


Part no.	Description	Material**	Colour	Dimension female thread d	d1 mm	Total length l mm	Mounting hole D + 0,1mm	Minimum bore depth L mm	Thickness of carrier a min. mm	Comment
1631 303 0075	Insert K' in K' M3 x 7.5	PA GF (Blend)	black	M3	5.8	7.5	5.7	8.5	2.3	*
1631 304 0009	Insert K' in K' M4 x 9	PA GF (Blend)	black	M4	7	9	6.9	10	2.5	
1639 004 0002	Insert K' in K' M4 x 9	PEI	natural	M4	7	9	6.9	10	2.5	
1639 304 0001	Insert K' in K' M4 x 9	PSU	natural	M4	7	9	6.9	10	2.5	*
1631 305 0010	Insert K' in K' M5 x 10	PA GF (Blend)	black	M5	8.6	10	8.5	11	2.8	
1631 306 0012	Insert K' in K' M6 x 12	PA GF (Blend)	black	M6	11	12	10.9	13	3	
1631 308 0015	Insert K' in K' M8 x 15	PA GF (Blend)	black	M8	14	15	13.9	16	4	

\* On request.

\*\* Further materials available on request.

**UNITEC® K' in K' – inserts for screw driving installation**



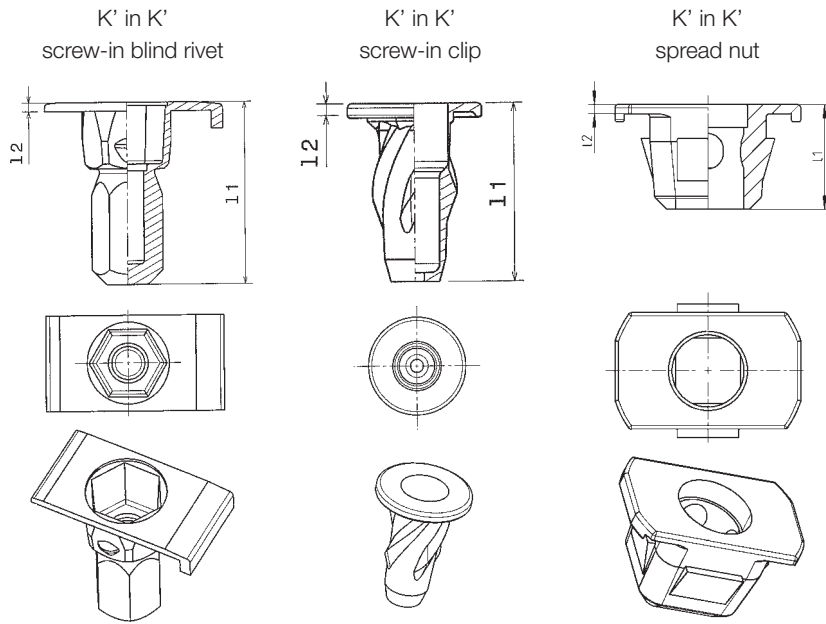
Part no.	Description	Böllhoff K' in K' thread	Thread size	Dimension female thread M	Total length l mm	Collar diameter D1 mm	Collar height mm l1	Comment
0417 003 08XX	Insert K' in K' M 3 x 8	Regular thread	6	M3	8	6.8	0.6	*
0417 004 09XX	Insert K' in K' M 4 x 9	Regular thread	7	M4	9	7.9	0.6	*
0417 005 10XX	Insert K' in K' M 5 x 10	Regular thread	8	M5	10	9	0.6	*
0402 006 0003	Insert K' in K' M6 x 12	Regular thread	10	M6	12	11.3	0.8	*
0402 008 0004	Insert K' in K' M 8 x 14	Regular thread	12	M8	14	13.5	0.8	*
0417 010 16XX	Insert K' in K' M 10 x 16	Regular thread	14	M10	16	15.8	0.8	*
0419 016 1502	Banjo bolt	Left-handed thread 15 x 1.5	15	M6 x 7 HITSERT®	15	22	2	*
0419 016 2303	Banjo bolt	Left-handed thread 23 x 2	23	—	12	—	—	* Drive internal serration VW 01043 N18

Selection of material depends on carrier.

\* On request.



**UNITEC® K' in K' – screw-set fastening elements**



Part no.	Description	Screw size/L	Total length l1 mm	Collar height l2 mm	Hole mm	Thickness of carrier mm	Material	Colour	Comment
0400 032 0001	K' in K' screw-in clip for K' in K' screw	size 7 L 18	20	1.6	8 x 8	0.8-2.5	PA high-impact	black	*
0400 132 8002	K' in K' screw-in blind rivet for K' in K' screw	size 6 L 18	26,8	1.3	D 13	0.8-3	PA 66-6	black	*
0499 046 0026	K' in K' spread nut for K' in K' screw	size 7 L 12	9	0.8	10 x 10	1.5	PA 66-6	black	*

\* On request.

**Böllhoff International with companies in:**

Argentina  
Austria  
Brazil  
Canada  
China  
Czech Republic  
France  
Germany  
Hungary  
India  
Italy  
Mexico  
Poland  
Rumania  
Russia  
Slovakia  
South Africa  
Spain  
Turkey  
United Kingdom  
USA

Apart from these 21 countries, Böllhoff supports its international customers in other important industrial markets in close partnership with agents and dealers.

Subject to technical change. Reprinting, even in extract form, only permitted with express consent. Observe protective note according to DIN 34.

Böllhoff Verbindungstechnik GmbH  
Archimedesstraße 1-4 · 33649 Bielefeld · Germany  
Phone +49 (0)521 / 4482-05 (326) · Fax +49 (0)521 / 4482 - 658  
www.boellhoff.com · fasteningtechnology@boellhoff.com

