



## RIVTAC®

High-speed joining  
with the pneumatic hand tool RIVTAC® Portable

# BOLLHOFF

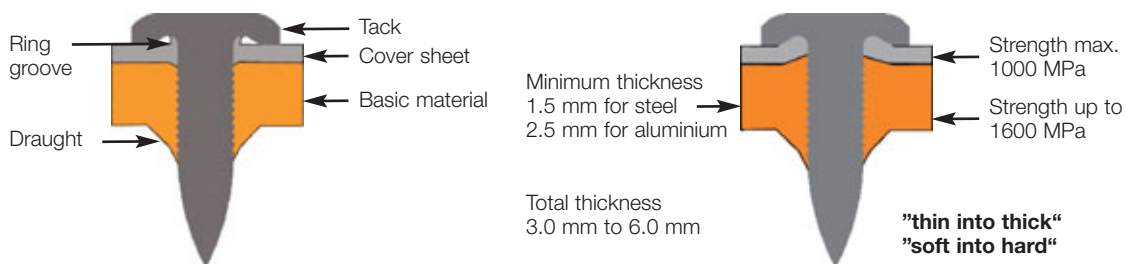
**RIVTAC® High-speed joining**

The RIVTAC® technology is suitable for joints of aluminium, steel, plastics, non-ferrous metals as well as for mixed joints, multiple-layer joints and hybrid joints of these materials.



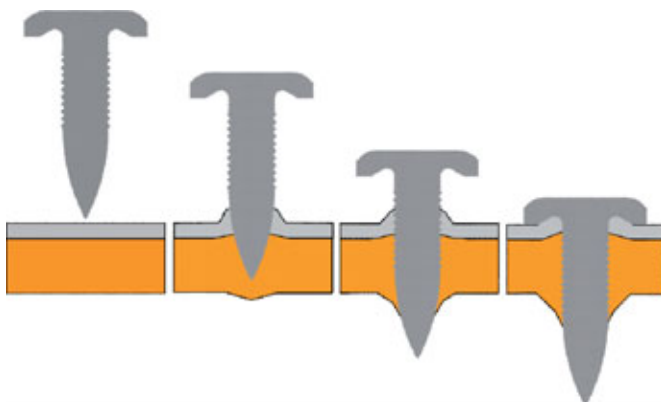
**Benefits**

- Joining without pre-punching in case of one-sided accessibility
- Reduction of joining and cycle times to a minimum
- Joining of high-strength materials
- Flexible application for mixed joints, multiple-layer joints and hybrid joints
- Optimal possibility of combining with adhesion technology



**Procedure**

1. Positioning    2. Entering    3. Penetration    4. Bracing

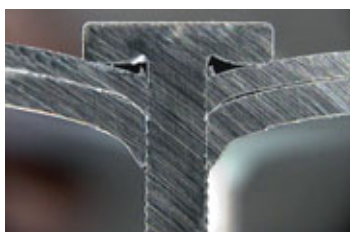


The tack hits the components to be joined at high speed. The speed, which can be controlled via the adjustable pressure, depends on the materials to be joined and on the component thicknesses. The tack penetrates both components. Due to a short-term rise in temperature in the joining zone and the resulting improved flowability, the joining part material can be displaced into the straight knurlings of the tack shaft. As a result, there is a high form fit in the joint. Moreover, for higher-strength steel materials, there is a non-positive connection due to grouting and compression of the material.

**Selection of material combinations**



Aluminium sheet/ Aluminium profile



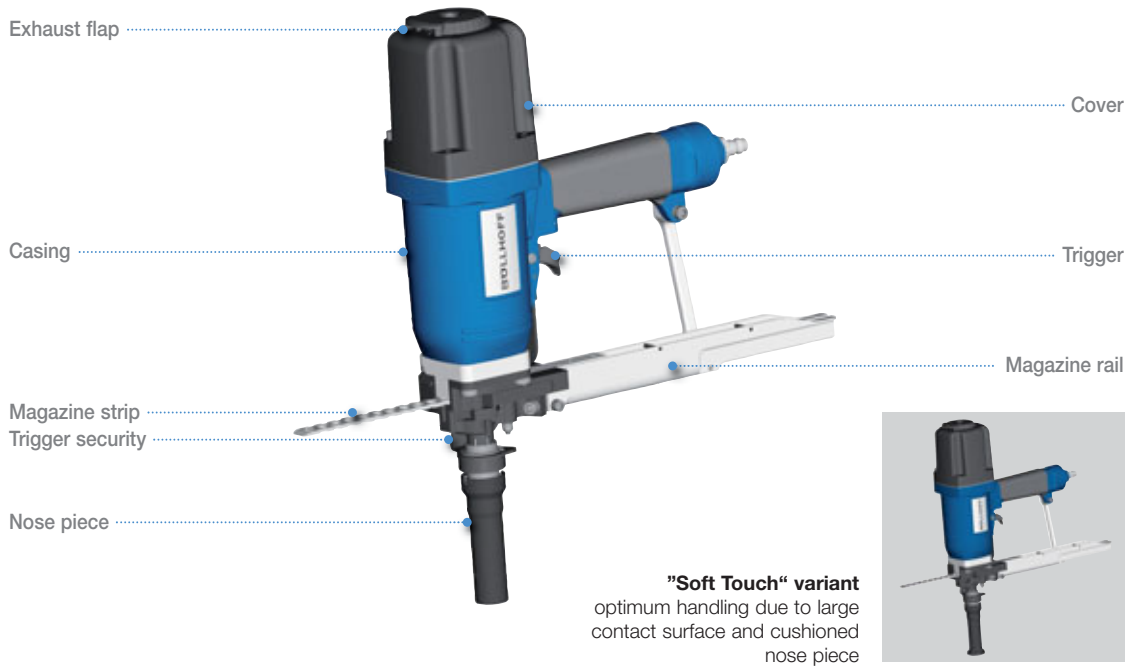
Steel sheet/ Steel sheet



Steel sheet/ Steel profile with adhesive

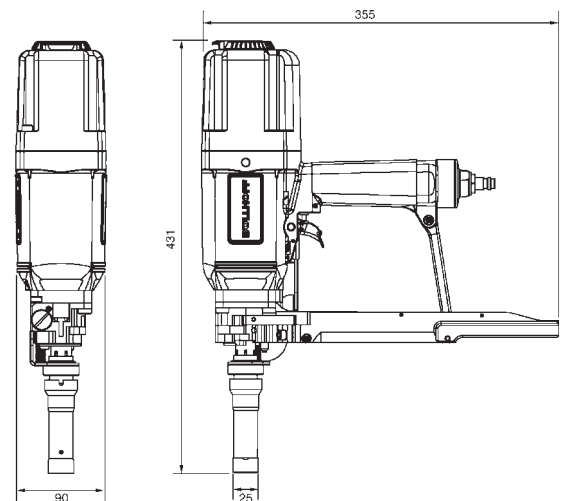
**RIVTAC® Portable**

**"Small Touch" variant for optimum accessibility**



**Technical data**

Cycle time:	≤ 1 second
Compressed-air connection:	4.5 bar to max. 8 bar
Air consumption at 6 bar:	approx. 2,5 l
Sound level* L <sub>WA</sub> max.:	107 db (A)
Sound level* L <sub>PA</sub> max.:	107 db (A)
Sound level* L <sub>PA</sub> max.:	100 db (A)
(DIN 45635-66-K1.2)	
Vibration values* A hwz:	4,6 m/s <sup>2</sup>
Nose piece:	Ø Small Touch 25 mm Ø Soft Touch 33.5 mm
Weight:	3.5 kg
Magazine capacity:	24 pieces
Dimensions:	Height: 431 mm, Width: 90 mm
CE mark:	provided
*Values of similar hand tool	



**Order No. 7338 500 3147**

RIVTAC® Portable Set  
Small Touch

**Order No. 7338 500 3146**

RIVTAC® Portable Set  
Soft Touch

**Order No.**

**9524 639 6922**  
Pressure unit  
(incl. booster)

**Order No.**

**9524 639 6910**  
Control unit

**Order No.**

**4931 082 7001**  
Magazine strip



Accessories: **Order No. 9524 639 6978** Hose package (10 m)

**Böllhoff International with companies in:**

Argentina  
Austria  
Brazil  
Canada  
China  
Czech Republic  
France  
Germany  
Hungary  
India  
Italy  
Japan  
Mexico  
Poland  
Romania  
Russia  
Slovakia  
South Africa  
Spain  
Turkey  
United Kingdom  
USA

Apart from these 22 countries, Böllhoff supports its international customers in other important industrial markets in close partnership with agents and dealers.

Subject to technical change.  
Reprinting, even in extract form, only permitted with express consent.  
Observe protective note according to DIN 34.

Böllhoff Verbindungstechnik GmbH  
Archimedesstraße 1-4 · 33649 Bielefeld · Germany  
Phone +49 (0)521 / 4482-05 (326) · Fax +49 (0)521 / 4482 - 658  
www.boellhoff.com · fasteningtechnology@boellhoff.com

